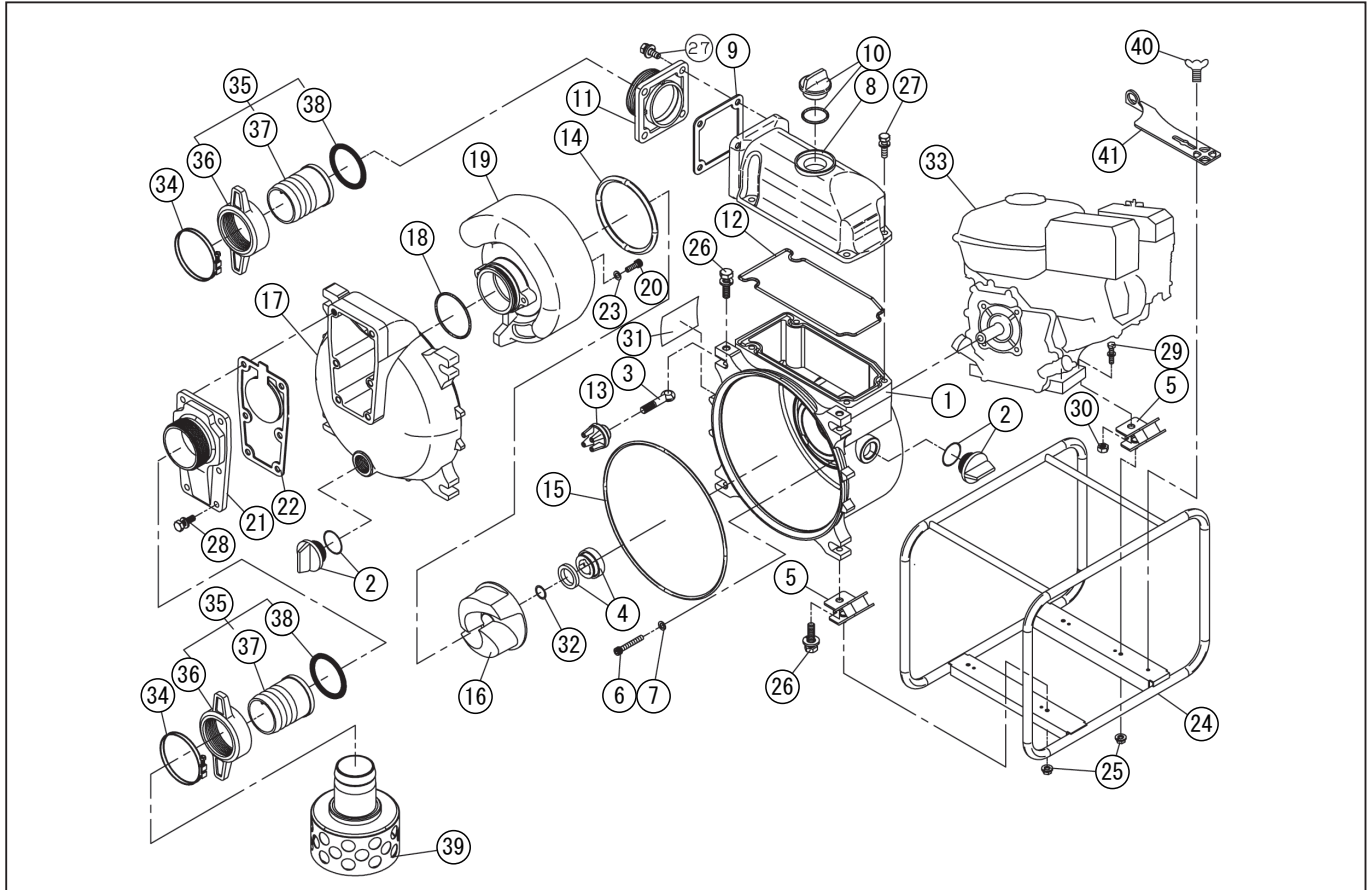


DWG No.012857017 MODEL : KTH-80X FORM : KTH-80X-BAB-4(GX240)

No.	PARTS CODE	PARTS NAME	QTY	MATERIAL/SIZE	REMARKS
1	0115546	PUMP BODY	1	ADC	
2	0118079	25A PLUG SET	2		
3	0115580	COVER BOLT	4	S35C	
4	0115678	MECHANICAL SEAL	1	HJ-25(B)BSIC	
5	0116172	CUSHION RUBBER	4	CR 60°	
6	0116516	SOCKET BOLT	4	M8×55 SCM	
7	0116493	WASHER	4	φ 8 A 1100 PH14	
8	0115547	DELIVERY HOUSING	1	ADC	
9	0110584	DELIVERY FLANGE PACKING	1	CR	
10	0118450	32A PLUG SET	1		
11	0115838	DELIVERY FLANGE(PS)	1	ADC	
12	0115548	HEAD PACKING	1	NBR70°	
13	0115590	KNOB	4		
14	0115578	CASING PACKING	1	NBR	
15	0115579	FRONT COVER PACKING	1	NBR	
16	0115558	IMPELLER	1	HRFC	
17	0121900	FRONT COVER PACKING	1	ADC	
18	0115676	O-RING	1	NBR	
19	0121908	VOLUTE CASING	1	FCD450	
20	0121539	HEXAGON SOCKET BOLT	3	M8×35 A2-80	
21	0111573	SUCTION FLANGE	1		
22	0115692	CHECK VALVE PACKING	1	NBR NEO-180	
23	0121540	SEAL WASHER	3	8.1X17XT2 MFZN II +LC	
24	0128122	BASE SET	1		
25	842319008	SPRING NUT	4	SWRM	
26	743119083	HEXAGON BOLT	4	SWRM M12X45	
27	743119063	HEXAGON BOLT	8	M10X30 SWRM	
28	743119061	HEXAGON BOLT	6	M10X25 SWRM	
29	743119065	HEXAGON BOLT	2	M10X35 SWRM	
30	827419010	HXAGON NUT	2	M101 SWRM	

◆ Bare engine can not be supplied



DWG No.012857017 MODEL : KTH-80X FORM : KTH-80X-BAB-4(GX240)

No.	PARTS CODE	PARTS NAME	QTY	MATERIAL/SIZE	REMARKS
31	0115860	NAME PLATE	1	T0.05	
32	0110081	IMPELLER ADJUSTING WASHER	3	T0.3	
33	0115738	ENGINE(WITH ALART)	1	HONDA GX240UT2WKK2	
34	940407090	HOSE BAND	3	3"	
35	0117028	COUPLING SET	2	ABS	
36	0114375	COUPLING	2	ABS	
37	0110301	HOSE NIPPLE	2	ABS	
38	0114378	COUPLING PACKING	2	NBR.HS65±5	
39	0110978	STRAINER	1	SPC	
40	741305153	WING BOLT	1	M8X15 SUS	
41	0115767	TOOL	1	SPC	
	0115859	PACKING CASE	1	K6W	

◆ Bare engine can not be supplied