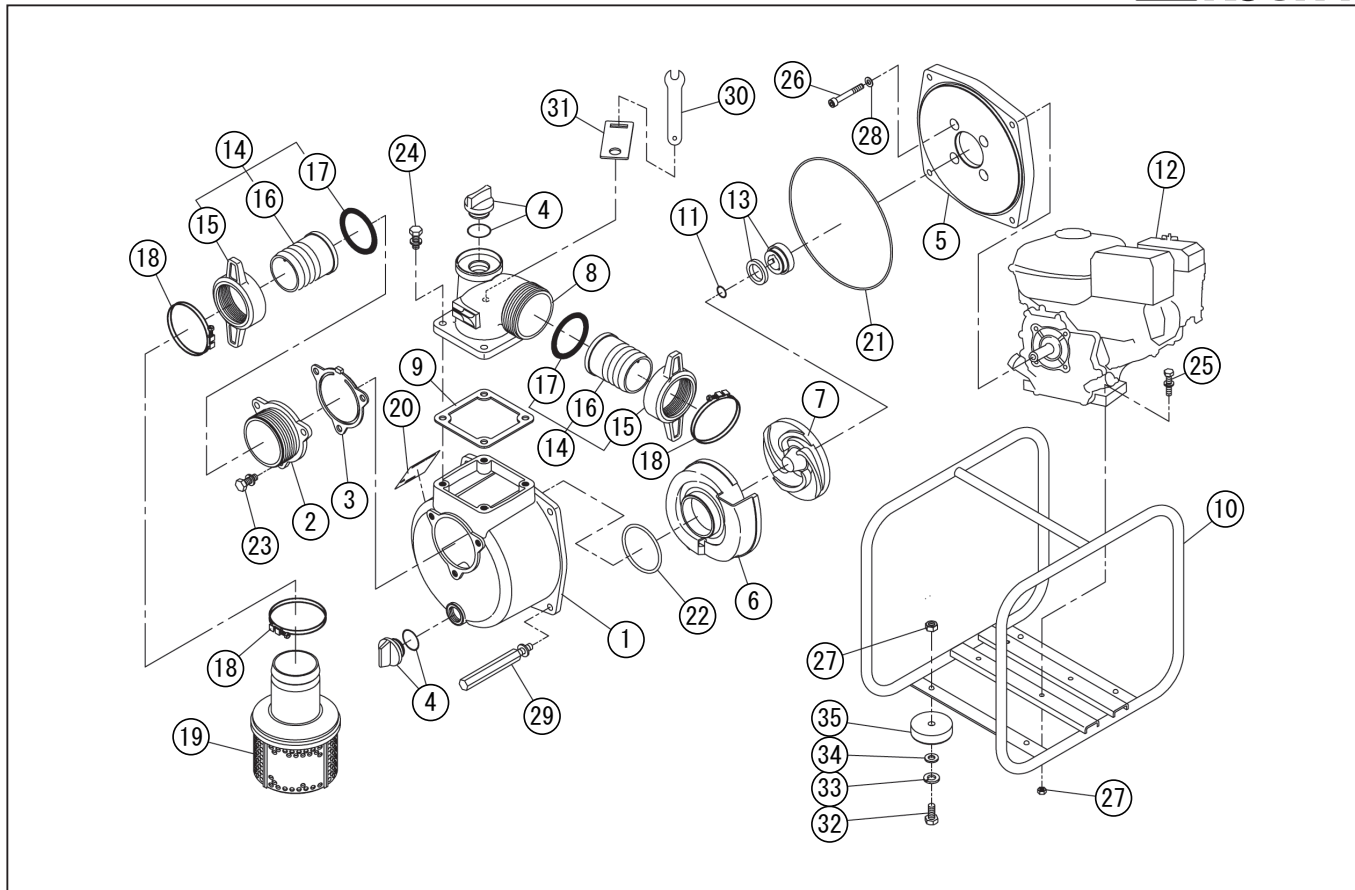


DWG No.011982912 MODELE:STH-50X FORM:STH-50X-BCO-2

No.	PARTS CODE	PARTS NAME	QTY	MATERIAL/SIZE	REMARKS
1	0120195	PUMP CASING	1	ADC	
2	0112662	SUCTION FLANGE	1	ADC	
3	0112665	CHECK VALVE	1	NBR	
4	0118078	20A PLUG SET	2		
5	0114027	FLANGE BRACKET	1	ADC	
6	0115169	VOLUTE CASING	1	FCD450	
7	0115168	IMPELLER	1	FCD450	
8	0110556	DELIVERY FLANGE	1	H=0.63 S=0.38	
9	0110541	DELIVERY FLANGE PACKING	1	CR 70 °	
10	0128238	BASE SET	1		
11	0110466	IMPELLER ADJUSTING WASHER	3	BSP T=0.3	
12	0114345	ENGINE (WITH ALERT)	1	HONDA GX120UT2WKT2	
13	0115159	MECHANICAL SEAL	1	HJ-20(B)BSIC	
14	0117026	COUPLING SET	2		
15	0113390	COUPLING	2	ABS	
16	0110356	HOSE NIPPLE	2	ABS	
17	0113391	COUPLING PACKING	2	NBR	
18	940019060	HOSE BAND	3	φ 60	
19	0111286	STRAINER	1	SPC	
20	0115361	NAME PLATE	1		
21	0115014	O-RING	1	1517-42.5 NBR	
22	0112792	O-RING	1	P54 NBR	
23	743119045	HEXAGON BOLT	3	M8X20 SWRM	
24	743119047	HEXAGON BOLT	4	M8X25 SWRM	
25	743119051	HEXAGON BOLT	4	M8X35 SWRM	
26	734532076	HEXAGON SOCKET BOLT (WITH WASHER)	4	M8X60 SCM CS	
27	827419008	HEXAGON NUT	8	M8 SWRM	
28	854255008	SEAL WASHER	4	φ 8	
29	0115115	LONG BOLT	4	M8X118	
30	0115185	SPANNER	1	13MM	

◆ Bare engine can not be supplied



DWG No.011982912 MODELE:STH-50X FORM:STH-50X-BCO-2

No.	PARTS CODE	PARTS NAME	QTY	MATERIAL/SIZE	REMARKS
31	0115230	SPANNER HOLDER	1	13MM	
32	735719148	HEXAGON BOLT	4	M8X20 SWRM	
33	843822008	SPRING WASHER	4	φ 8	
34	846007008	WASHER	4	φ 8	
35	0110515	CUSHION RUBBER	4	F-23	
	0115362	PACKING CASE	1		

◆ Bare engine can not be supplied