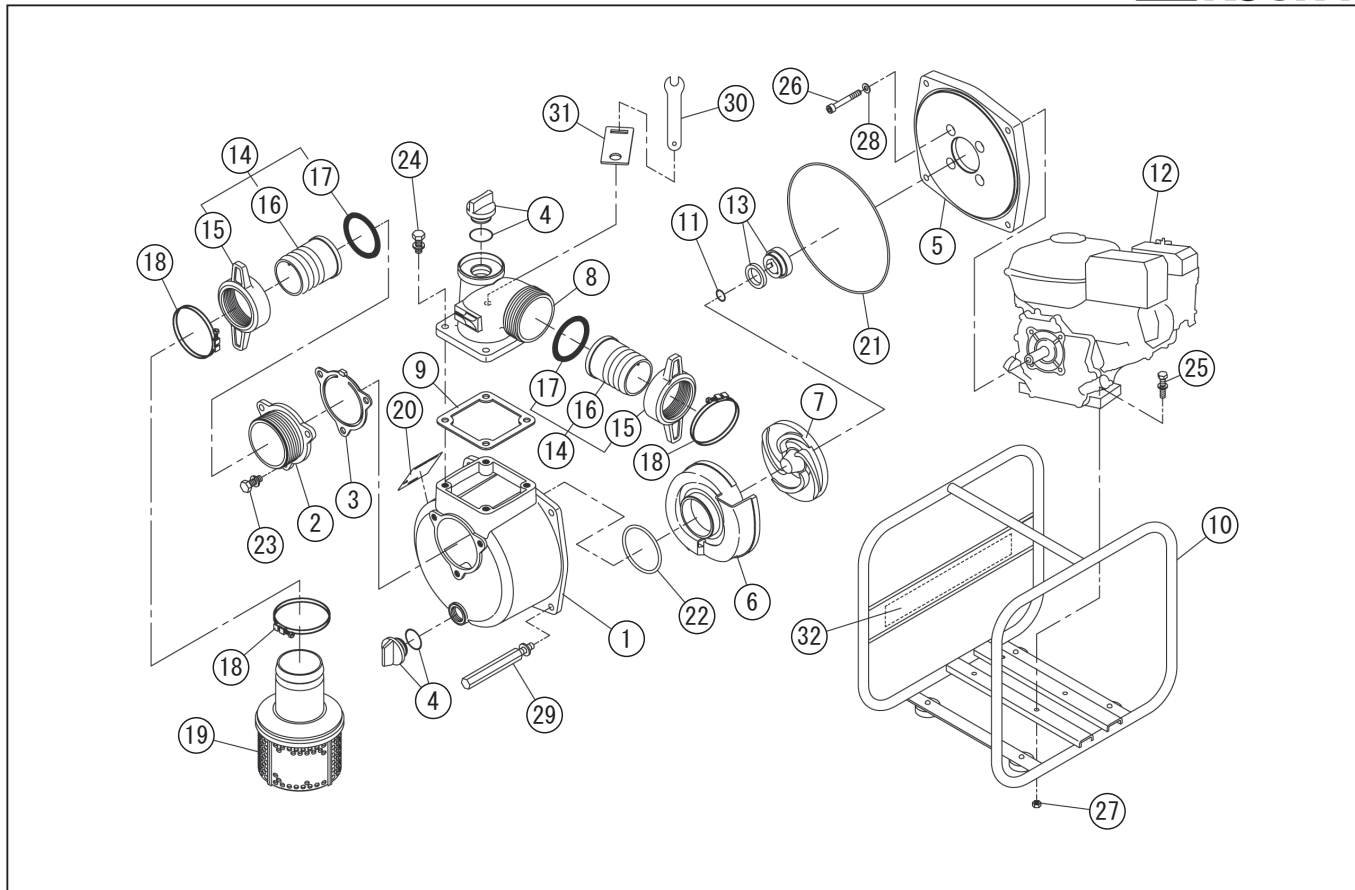


DWG No.012912107 MODELE:STV-50X FORM:STV-50X-BAA-2

| No. | PARTS CODE | PARTS NAME                | QTY | MATERIAL/SIZE       | REMARKS |
|-----|------------|---------------------------|-----|---------------------|---------|
| 1   | 0120195    | PUMP CASE                 | 1   | ADC "MADE IN JAPAN" |         |
| 2   | 0112662    | SE-50X SUCTION FLANGE     | 1   | ADC                 |         |
| 3   | 0112665    | CHECK VALVE               | 1   | NBR                 |         |
| 4   | 0118078    | 20A PLUG SET              | 2   |                     |         |
| 5   | 0114027    | FLANGE BRACKET            | 1   | ADC                 |         |
| 6   | 0115169    | VOLUTE CASING             | 1   | FCD450              |         |
| 7   | 0121342    | IMPELLER                  | 1   | FCD450              |         |
| 8   | 0110556    | DELIVERY FLANGE           | 1   | ADC                 |         |
| 9   | 0110541    | FLANGE PACKING            | 1   | CR 70 °             |         |
| 10  | 0128366    | BASE SET                  | 1   |                     |         |
| 11  | 0110491    | IMPELLER ADJUSTING WASHER | 3   | BSP1 T0.3           |         |
| 12  | 0121273    | K180-D2 ENGINE            | 1   | EPA/EU OA EU        |         |
| 13  | 0115159    | SEH-50T MECHANICAL SEAL   | 1   | HJ-20(B)BSIC        |         |
| 14  | 0117026    | COUPLING SET              | 2   |                     |         |
| 15  | 0113390    | COUPLING                  | 2   | ABS                 |         |
| 16  | 0110356    | HOSE NIPPLE               | 2   | ABS                 |         |
| 17  | 0113391    | COUPLING PACKING          | 2   | NBR                 |         |
| 18  | 940019060  | HOSE BAND                 | 3   | φ 60                |         |
| 19  | 0111286    | STRAINER                  | 1   | SPC                 |         |
| 20  | 0121414    | NAME PLATE                | 1   |                     |         |
| 21  | 0115014    | O-RING 1517-42.5          | 1   | 1517-42.5 NBR       |         |
| 22  | 0112792    | O-RING                    | 1   | P54 NBR             |         |
| 23  | 743119045  | BOLT                      | 3   | M8×20 SWRM          |         |
| 24  | 743119047  | BOLT                      | 4   | M8×25 SWRM          |         |
| 25  | 743119053  | BOLT                      | 4   | M8×40 SWRM          |         |
| 26  | 734532076  | SOCKET BOLT               | 4   | M8×60 SCM CS        |         |
| 27  | 827419008  | NUT                       | 4   | M8 SWRM             |         |
| 28  | 854255008  | SEAL WASHER               | 4   | φ 8                 |         |
| 29  | 0115115    | LONG BOLT M8X118          | 4   | M8×118              |         |
| 30  | 0115185    | SPANNER 13MM              | 1   | 13MM                |         |

◆ Bare engine can not be supplied



DWG No.012912107 MODELE:STV-50X FORM:STV-50X-BAA-2

| No. | PARTS CODE | PARTS NAME          | QTY | MATERIAL/SIZE | REMARKS |
|-----|------------|---------------------|-----|---------------|---------|
| 31  | 0115230    | SPANNER HOLDER 13MM | 1   | 13MM          |         |
| 32  | 0120428    | SIDE PANEL LABEL    | 1   |               |         |
|     | 0114718    | CE MARK LABEL       | 1   |               |         |
|     | 0114713    | CAUTION LABEL       | 1   |               |         |
|     | 0116282    | EU NOISE LABEL(103) | 1   |               |         |

◆ Bare engine can not be supplied