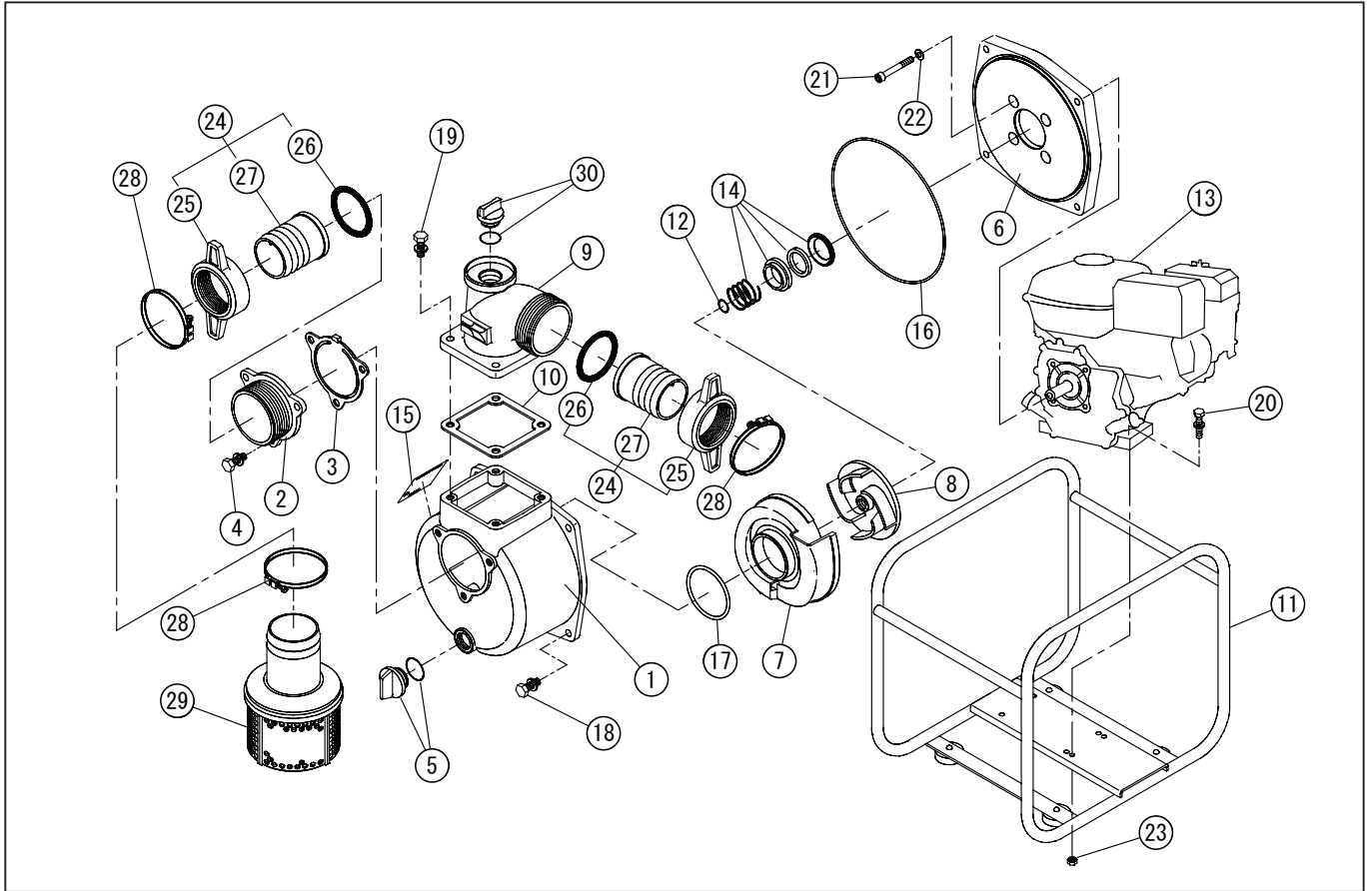


DWG No.011956912 MODEL:SERH-50B FORM:SERH-50B-BAB-3

No.	PARTS CODE	PARTS NAME	QTY	MATERIAL/SIZE	REMARKS
1	0114184	PUMP CASING	1	ADC	
2	0114003	SUCTION FLANGE	1	ADC	
3	0112799	CHECK VALVE	1	NBR	
4	743119061	HEXAGON BOLT	3	M10×25 SWRM	
5	0118079	25A PLUG SET	1		
6	0110568	FLANGE BRACKET	1	ADC	
7	0112818	VOLUTE CASING	1	FC-20	
8	0112861	IMPELLER	1	FC-20	
9	0114209	DELIVERY FLANGE	1	ADC	
10	0110584	DELIVERY FLANGE PACKING	1	CR	
11	0117043	BASE SET	1		ORANGE
12	0110491	IMPELLER ADJUSTING WASHER	3	BSP	
13	0114293	ENGINE	1	HONDA GX160UT2WMBOR8	
14	0110863	MECHANICAL SEAL	1	HG9A-MN(H) φ 2 0	
15	0115393	NAME PLATE	1		
16	0115016	O-RING	1	1517-51.5 NBR	
17	0113989	O-RING	1	P74 NBR	
18	743119078	HEXAGON BOLT	4	M12×30 SWRM	
19	743119063	HEXAGON BOLT	4	M10×30 SWRM	
20	743119053	HEXAGON BOLT	4	M8×40 SWRM	
21	734532076	HEXAGON SOCKET BOLT	4	M8×60 SCM CS	
22	854255008	SEAL WASHER	4	φ 8	
23	827419008	HEXAGON NUT	4	M8 SWRM	
24	0117026	COUPLING SET	2		
25	0113390	COUPLING	2	ABS	
26	0113391	COUPLING PACKING	2	NBR	
27	0110356	HOSE NIPPLE	2	ABS	
28	940019060	HOSE BAND	3	φ 60	
29	0118047	STRAINER SET	1		
30	0118078	20A PLUG SET	1		

◆ Bare engine can not be supplied



DWG No.011956912 MODEL:SERH-50B FORM:SERH-50B-BAB-3

No.	PARTS CODE	PARTS NAME	QTY	MATERIAL/SIZE	REMARKS
	0120905	PACKING CASE	1		

◆ Bare engine can not be supplied