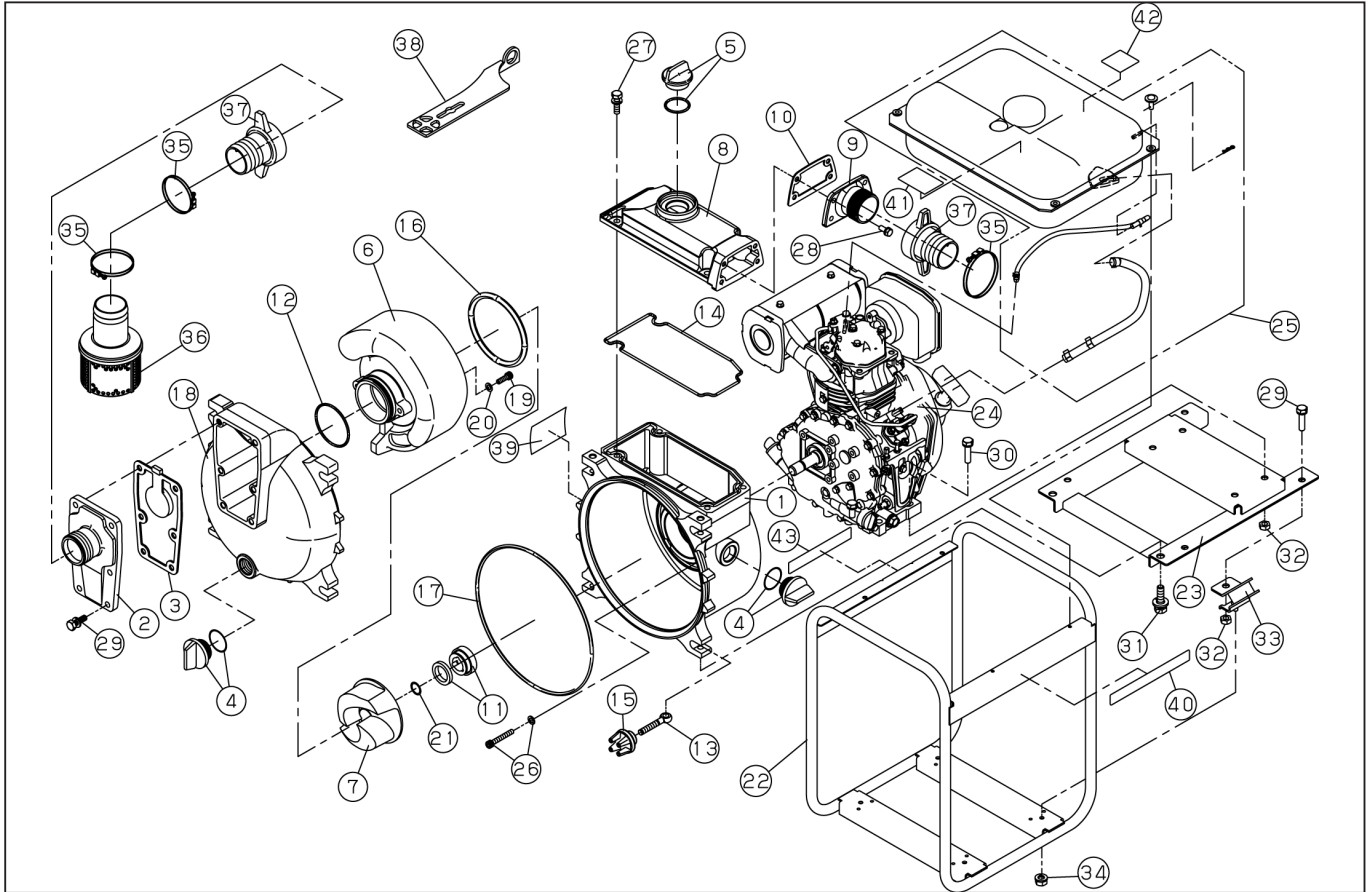


DWG No.012944203 MODELE : KTY-50D FORM : KTY-50D-BAA-1

No.	PARTS CODE	PARTS NAME	QTY	MATERIAL/SIZE	REMARKS
1	0123164	PUMP CASING	1	ADC	
2	0115839	SUCTION FLANGE	1	ADC	
3	0115780	CHECK VALVE	1	NBR	
4	0118079	25A PLUG SET	2		
5	0118450	32A PLUG SET	1		
6	0121897	VOLUTE CASING	1	FCD450	
7	0123163	IMPELLER	1	HRFC	
8	0123165	DELIVERY HOUSING	1	ADC	
9	0115840	DELIVERY FLANGE (G)	1	ADC	
10	0115490	FLANGE PACKING	1	CR	
11	0115159	MECHANICAL SEAL	1		
12	0115676	O-RING	1	NBR	
13	0115580	COVER BOLT	4	S35C	
14	0123207	HEAD PACKING	1	NBR	
15	0115590	KNOB	4	FC200	
16	0123217	CASING PACKING	1	NBR	
17	0123208	FRONT COVER PACKING	1	NBR	
18	0121900	FRONT COVER KTH-80X	1	ADC	
19	0121539	SOCKET BOLT	3	M8×35	
20	0121540	WASHER	3	φ 8	
21	0123253	ADJUSTING WASHER	3	BSP1 T=0.3	
22	0127296	BASE SET	1		
23	0127298	DAMPING BASE SET	1		
24	-	L48N6-PKS DESEL ENGINE	1		
25	0127289	LARGE FUEL TANK SET (L48N6-PKS)	1		
26	734770078	FLANGE SOCKET BOLT	4	M8×70 SCM	
27	743119063	BOLT	4	M10×30 SWRM	
28	743119046	BOLT	4	M8×22 SWRM	
29	743119061	BOLT	10	M10×25 SWRM	
30	743119067	BOLT	4	M10×40 SWRM	

◆ Bare engine can not be supplied



DWG No.012944203 MODELE : KTY-50D FORM : KTY-50D-BAA-1

No.	PARTS CODE	PARTS NAME	QTY	MATERIAL/SIZE	REMARKS
31	743119083	BOLT	4	M12×45 SWRM	
32	827419010	NUT	8	M10 SWRM	
33	0116172	CUSHION RUBBER	4	CR 60°	
34	842319008	SPRING NUT	4	SWRM	
35	940407060	HOSE BAND	3	Φ60	
36	0110977	STRAINER	1	SPC	
37	0127344	COUPLING SET	1	ABS	
38	0115778	TOOL	1	SPC	
39	0123262	NAME PLATE	1		
40	0123238	SEY-D SIDE PANEL LABEL	1		
41	0123259	DIESEL CAUTION LABEL1 (ENG)	1		
42	0123260	DIESEL CAUTION LABEL2 (ENG)	1		
43	0123261	DIESEL CAUTION LABEL3 (ENG)	1		

◆ Bare engine can not be supplied