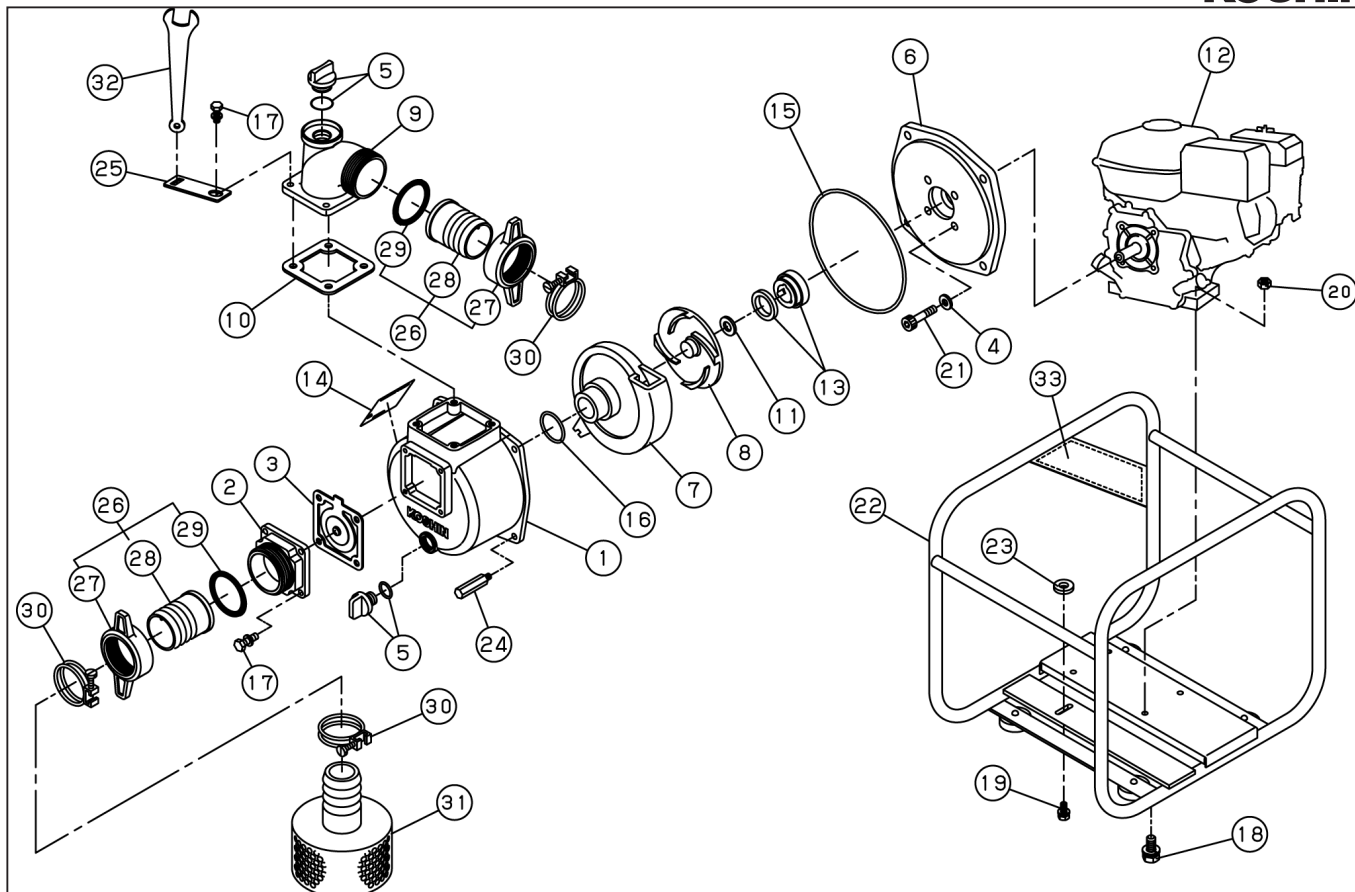


DWG No.012947701 MODELE:STV-100X FORM:STV-100X-BAE-0

No.	PARTS CODE	PARTS NAME	QTY	MATERIAL/SIZE	REMARKS
1	0115691	PUMP CASE	1	ADC	
2	0116188	SUCTION FLANGE	1	ADC(G)	
3	0117363	CHECK VALVE SET	1		
4	854255008	SEAL WASHER	1	φ8	
5	0118079	25A PLUG SET	2		
6	0115763	FLANGE BRACKET	1	ADC	
7	0120600	VOLUTE CASING	1	FCD	
8	0120599	IMPELLER	1	FCD	
9	0116187	DELIVERY FLANGE	1	ADC(G)	
10	0110750	FLANGE PACKING	1	CR	
11	0110081	ADJUSTING WASHER	3	T0.3	
12	-	ENGINE	1	KOSHIN K300	
13	0115678	MECHANICAL SEAL	1	HJ-25(B)BSIC	
14	0123325	NAME PLATE	1		
15	890455080	O-RING	1	NBR 1516-80	
16	889855090	O-RING	1	NBR P90	
17	743119080	BOLT	8	SWRM M12×35	
18	743119067	BOLT	4	SWRM M10×40	
19	743119045	BOLT	1	SWRM M8×20	
20	827419010	NUT	4	SWRM M10	
21	734532078	SOCKET BOLT	4	SCM CS M8×70	
22	0127330	BASE ASSY	1		
23	0115923	RUBBER MOUNT	1	NBR 26×12×5	
24	0120601	LONG BOLT	4	M12×35	
25	0120602	SPANNER HOLDER	1	SPCC T=2.0	
26	0117639	COUPLING SET	2	ADC (G)	
27	0116189	COUPLING	2	ADC (G)	
28	0110471	NIPPLE	2	ADC	
29	0111478	COUPLING PACKING	2	NBR	
30	940019120	HOSE BAND	3	φ 120	

◆ Bare engine can not be supplied



DWG No.012947701 MODELE:STV-100X FORM:STV-100X-BAE-0

No.	PARTS CODE	PARTS NAME	QTY	MATERIAL/SIZE	REMARKS
31	0111217	STRAINER	1	SPC	
32	0120603	SPANNER	1	19MM	
33	0122307	SE SIDE PANEL LABEL	1		

◆ Bare engine can not be supplied